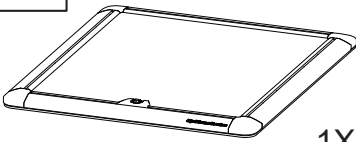
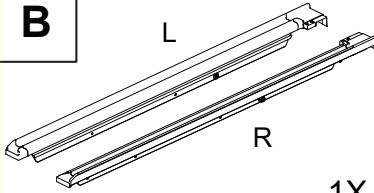
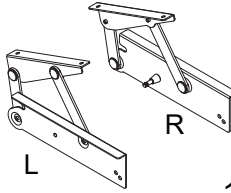
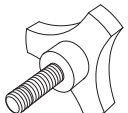

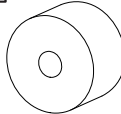
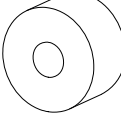

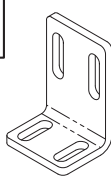
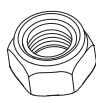
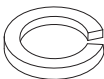
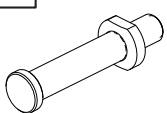
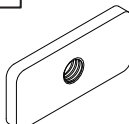
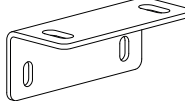
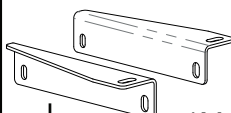
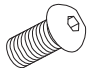


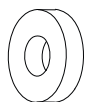
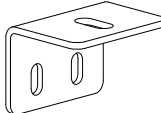
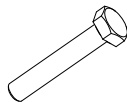
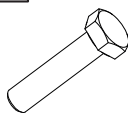
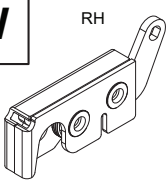
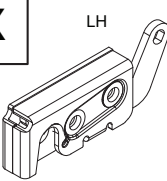


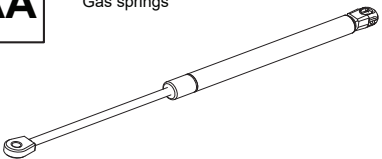
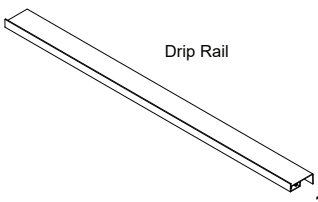
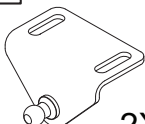

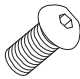
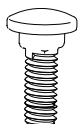
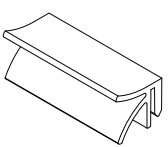
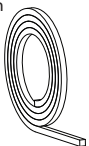
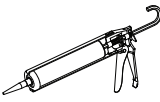

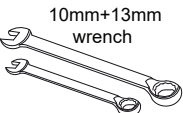

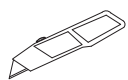



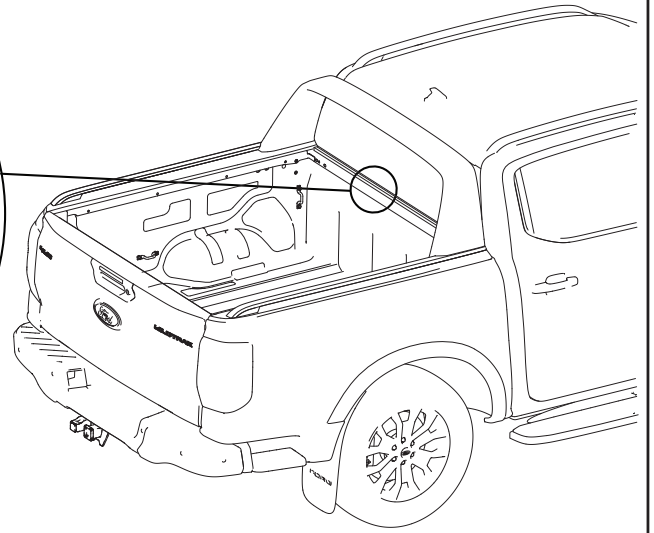
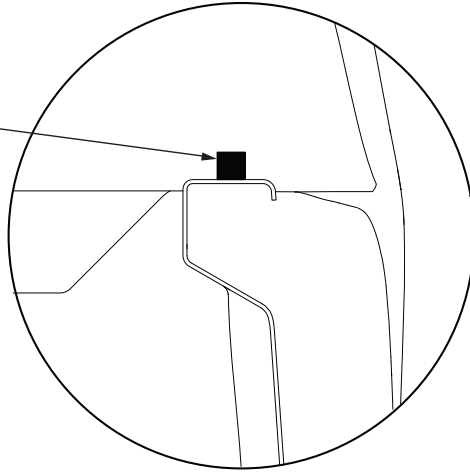
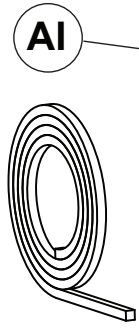
UpStoneEvolve

INSTALLATION INSTRUCTION MANUAL FORD WILDTRAK DOUBLE CABINE 2022+ EVOS1400S

■ COVER EVOS1400S
■ KIT1400S-1RLBF
■ KIT1400S-2RLBF

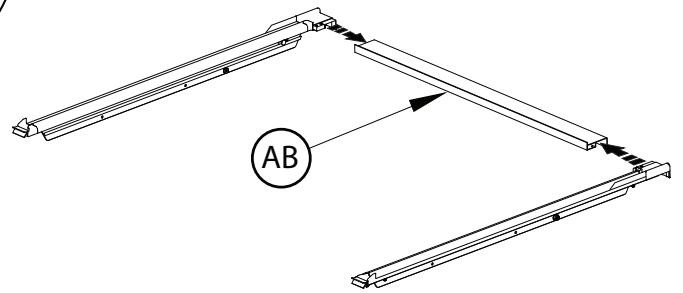
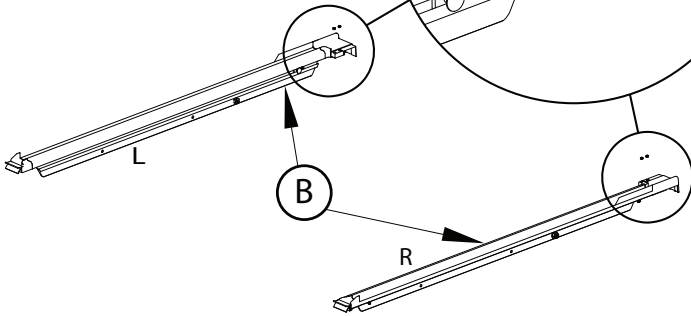
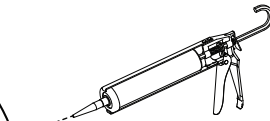
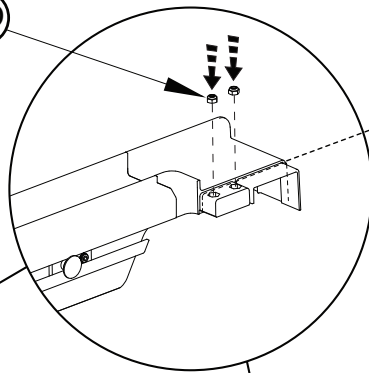
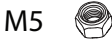
A  1X		B  1X		C  1X		D  2X	
E  2X	F Ø24xØ6.4x15mm Nylon spacer  10X	G Ø25xØ8.4x15mm Nylon spacer  2X	H Washer M8 Stainless Steel  x4 Incl. kit 607 12X	I  x2 Incl. kit 607 2X	J M8 Nylstop Stainless Steel  x4 Incl. kit 607 10X		
K Ø8 grower washer stainless steel  2X	L Latch Pin  2X	M Pin Nut  2X	N Rear brackets  2X	O Front brackets R  L 1X		P BHC M6x18  x12 Incl. kit 607 12X	
Q Washer M6 Stainless steel  x12 Incl. kit 607 22X	R Ø6 grower washer stainless steel  x8 Incl. kit 607 22X	S washer M8 thickness 4mm stainless steel  2X	T Middle brackets  2X	U H M6x35 stainless steel  10X	V H M8x35 stainless steel  2X		
W RH  Incl. kit 607 1X	X LH  Incl. kit 607 1X	Y  M5 Cable Bolt, Washer & Dome Nut Incl. kit 607 2X	Z  Incl. kit 607 2X	AA Gas springs  2X			
AB Drip Rail  1X	AC  2X	AD M5 Nylstop stainless steel  4X	AE M5x18 stainless steel  4X	AF M8 x 25 COACH BOLT  6X			
AH  2X	AI Adhesive foam 10x10mm 	Note: If at any stage of installation you find your Aluminium Tonneau Cover to be an unacceptable fit please contact the manufacturer before continuing.					
Tools required:  BLACK SILICONE  3mm + 4mm Hex Key  10mm+13mm wrench   							
Fitting Kit Number	Product	Revision	Date	Page			
EVOS1400S	Ford Ranger Wildtrak	2.1	22-07-2024	1 of 8			

1



2

x4 (AD)
M5

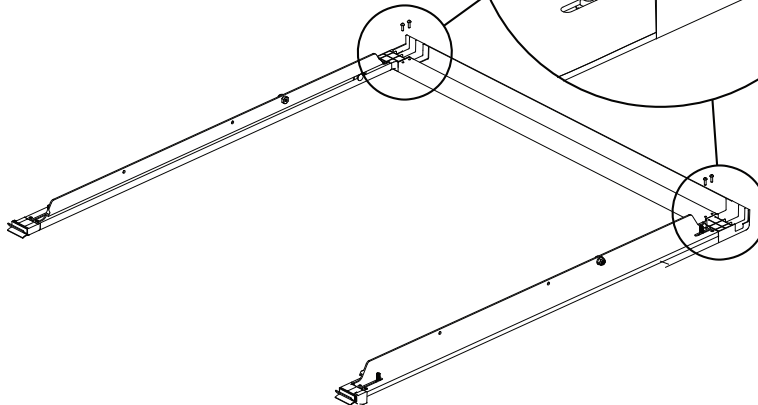
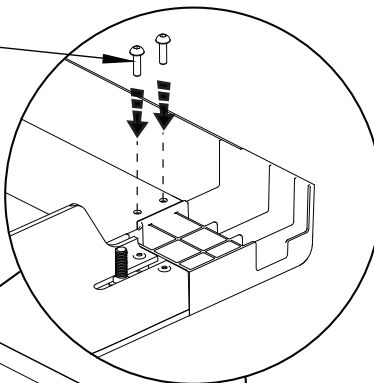


3

x4 (AE)

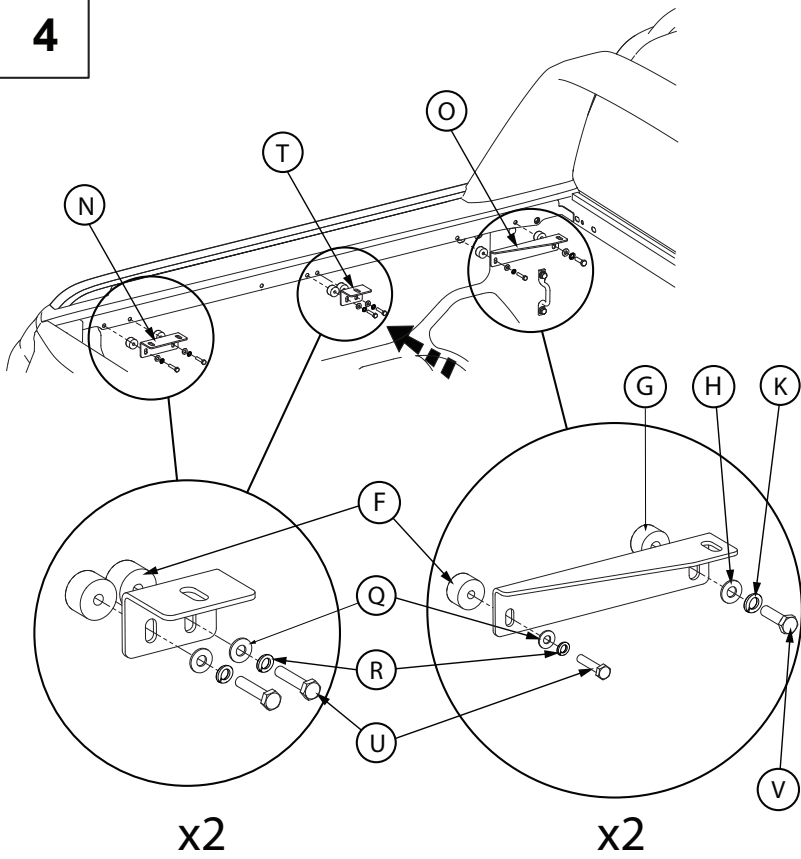
M5x18

3 mm Hex Key

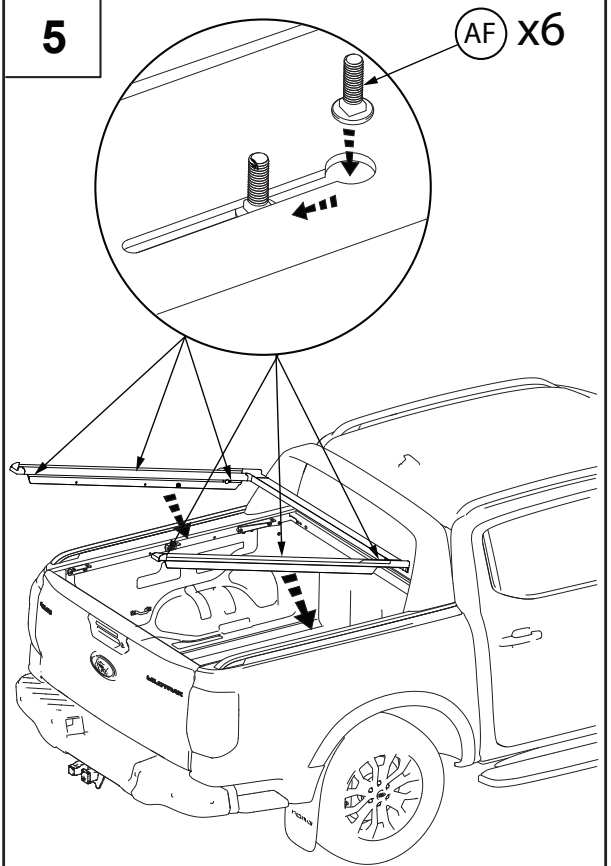


Fitting Kit Number	Product	Revision	Date	Page
EVOS1400S	Ford Ranger Wildtrak	2.1	22-07-2024	2 of 8

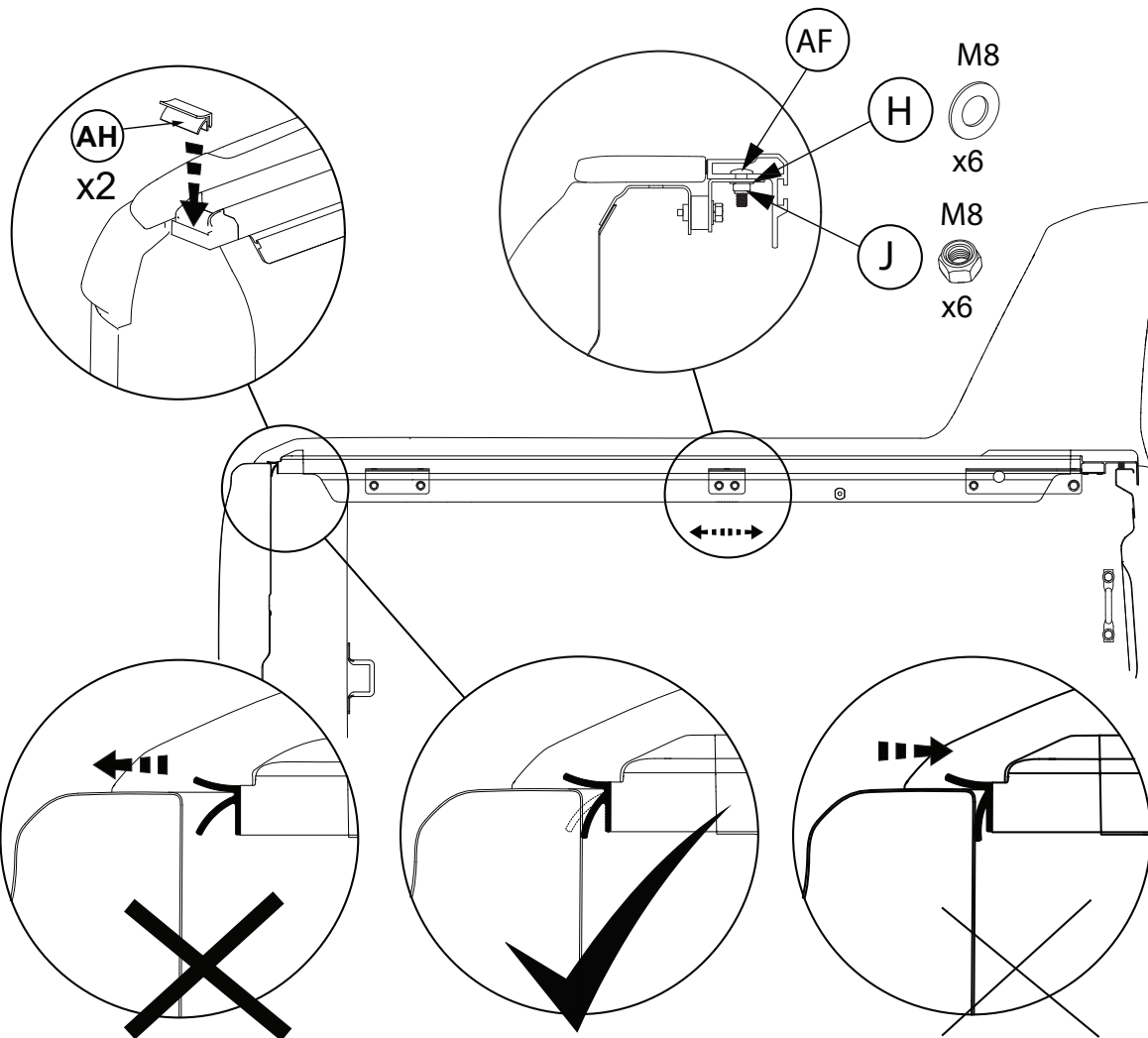
4



5



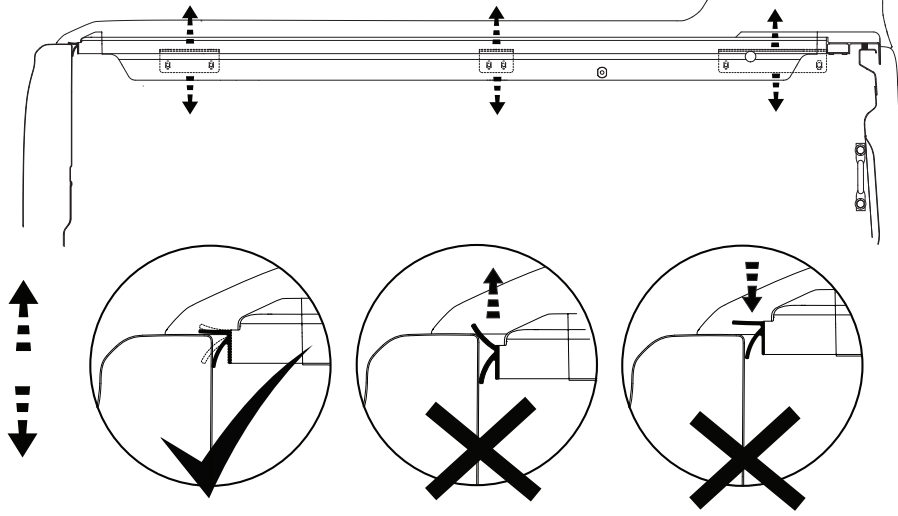
6



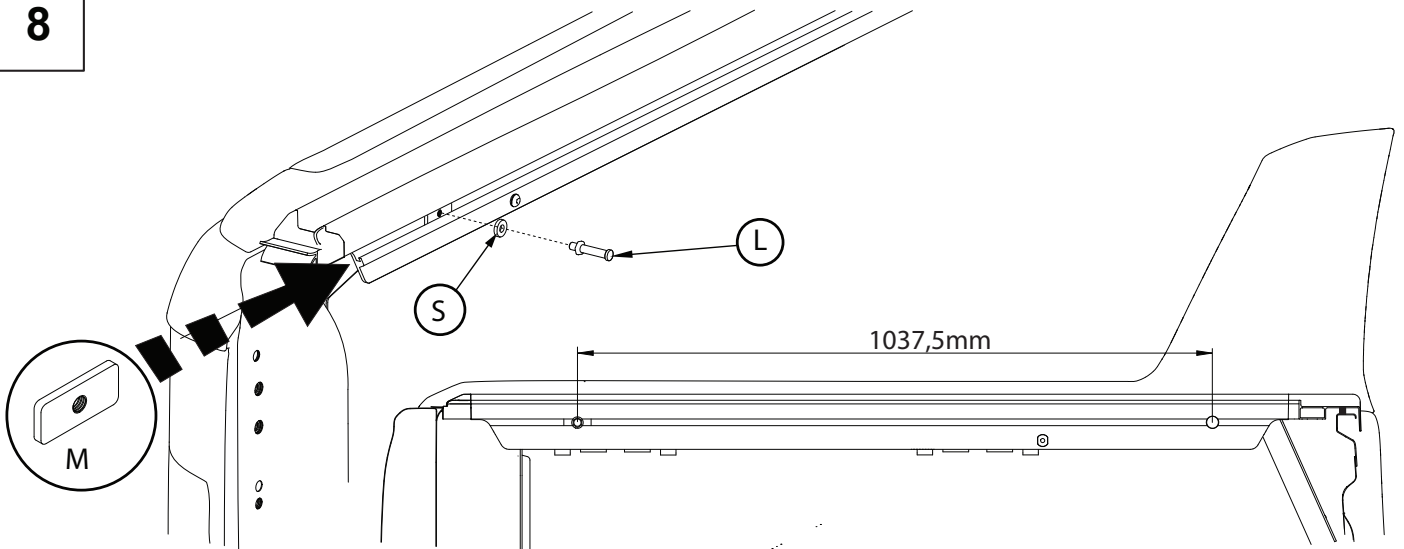
Fitting Kit Number	Product	Revision	Date	Page
EVOS1400S	Ford Ranger Wildtrack	2.1	22-07-2024	3 of 8

7

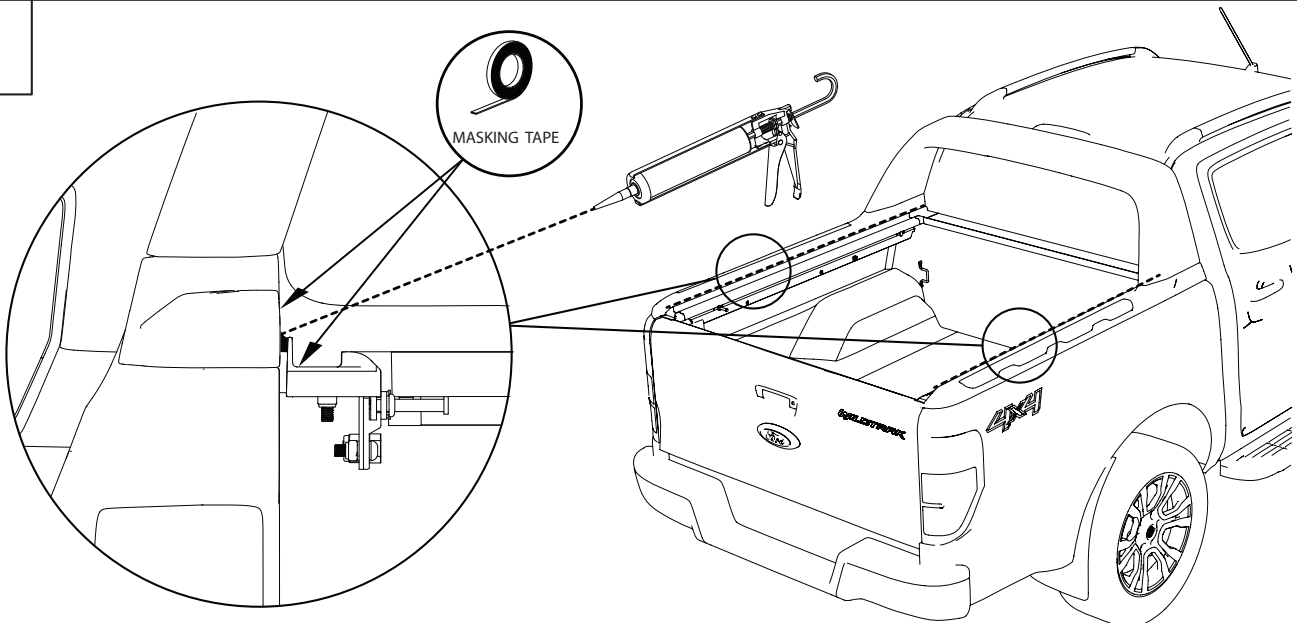
Tighten the bolts to 8.5 N.m or 6.3 ft.lb
(once rail adjustments are complete)



8

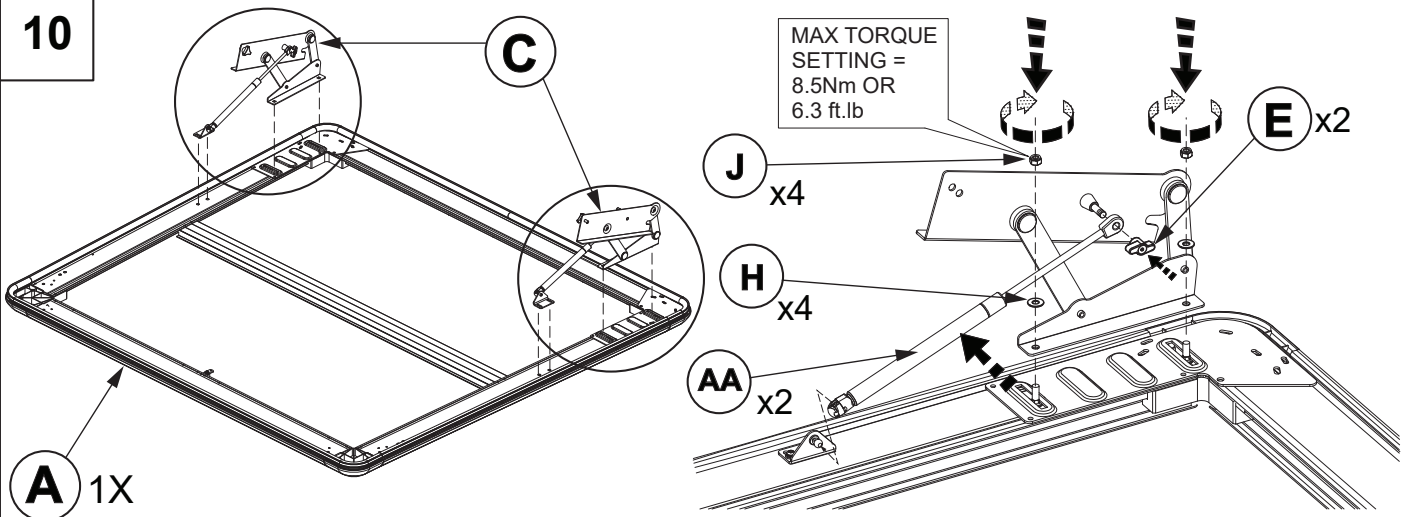


9

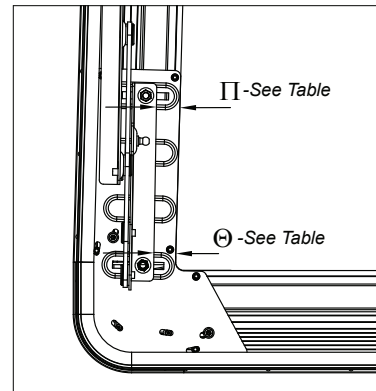


Fitting Kit Number	Product	Revision	Date	Page
EVOS1400S	Ford Ranger Wildtrack	2.1	22-07-2024	4 of 8

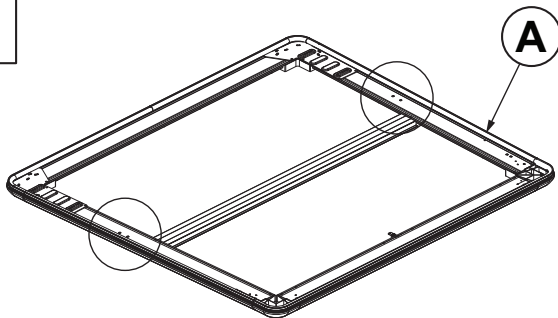
10



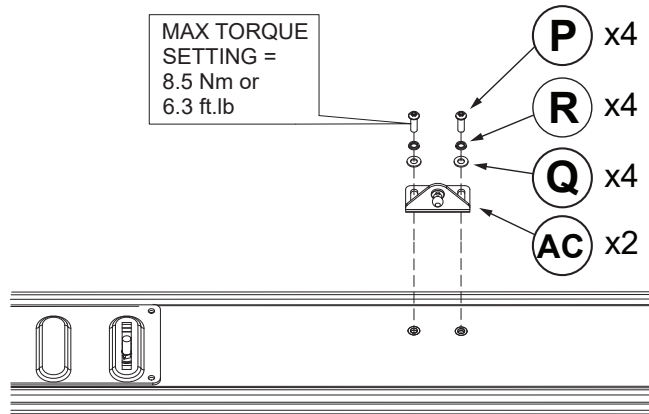
Vehicle Model	Π	Θ
	mm	mm
Ford Ranger Wildtrak DC 2011+	25.5	25.5



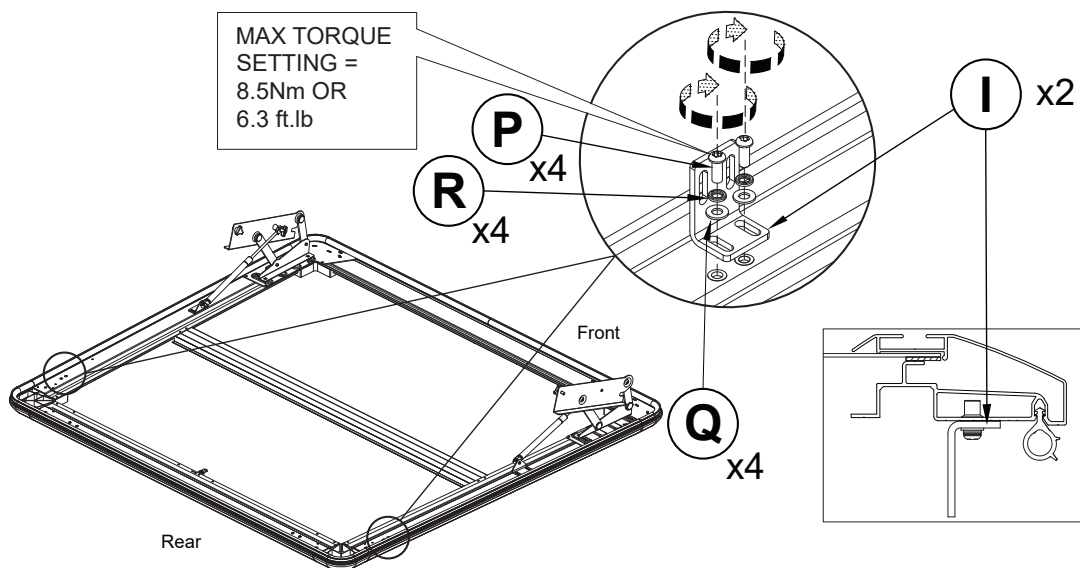
11



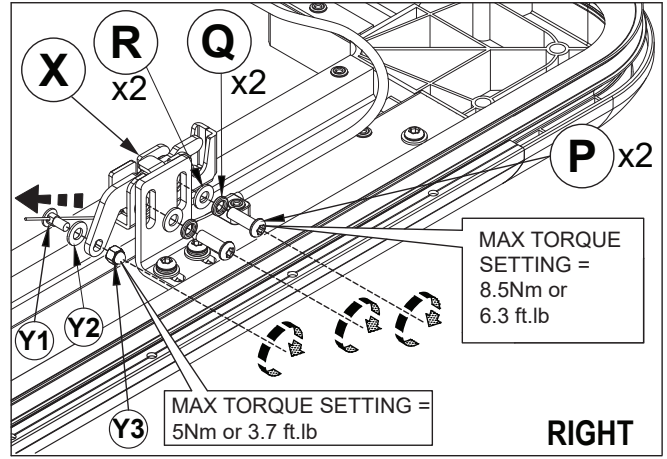
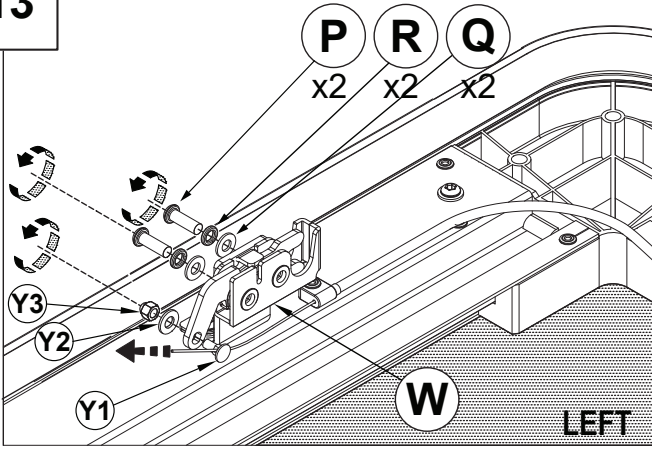
MAX TORQUE SETTING = 8.5 Nm or 6.3 ft.lb



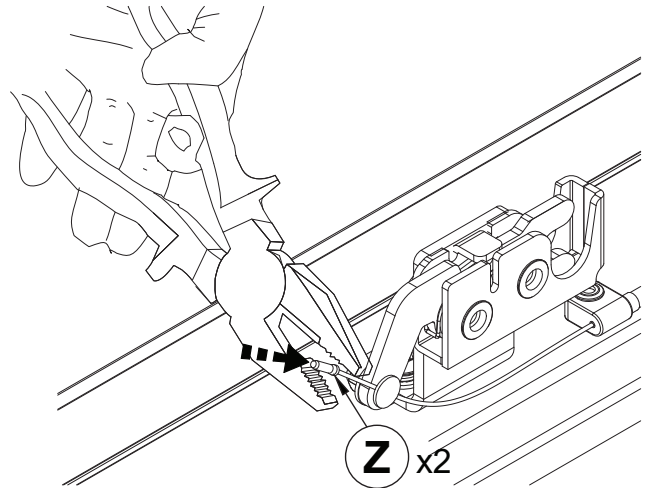
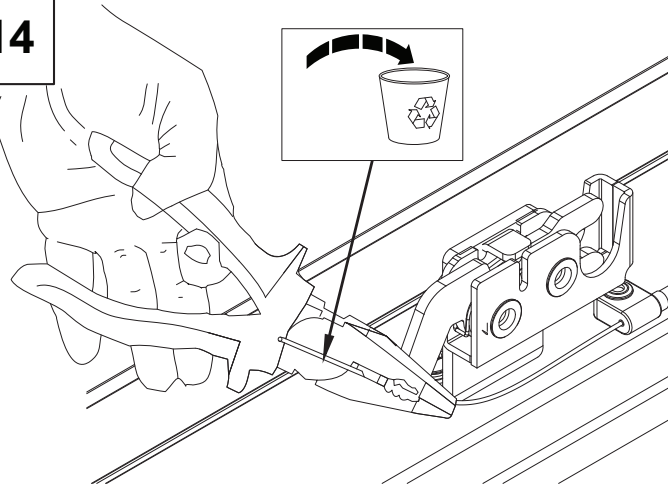
12



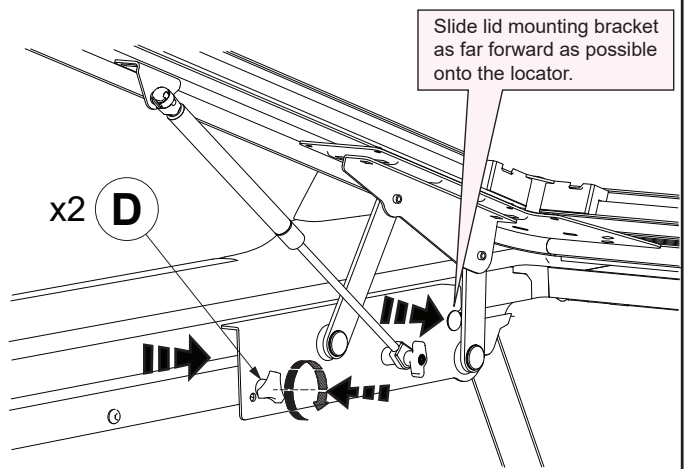
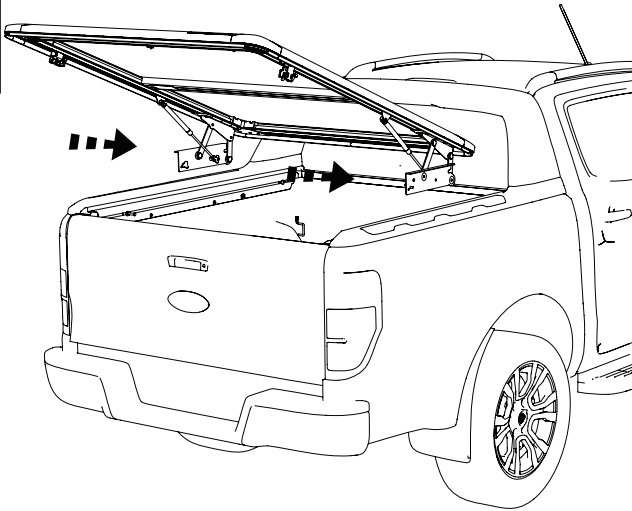
13



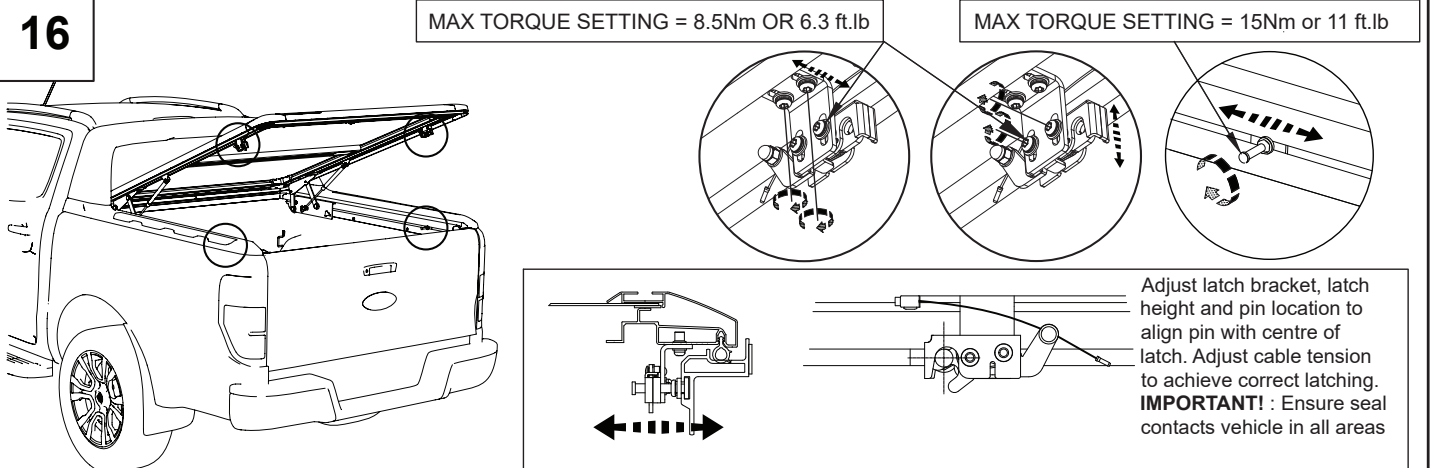
14



15

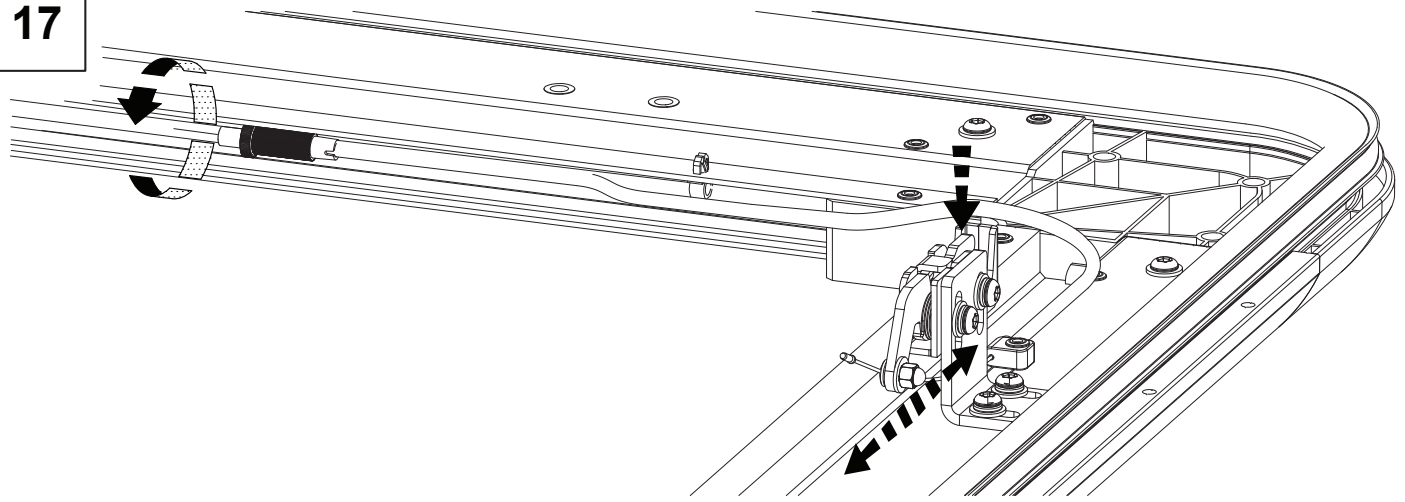


16



Fitting Kit Number	Product	Revision	Date	Page
EV051400S	Ford Ranger Wildtrack	2.1	22-07-2024	6 of 8

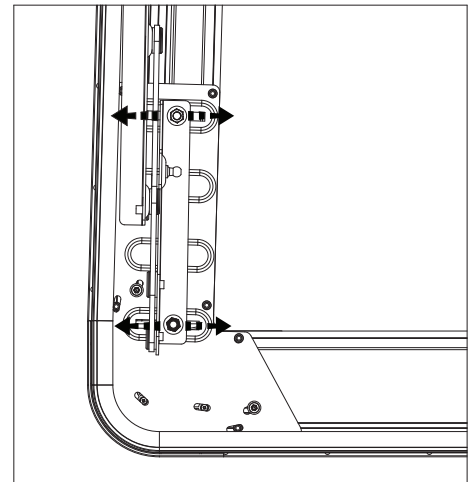
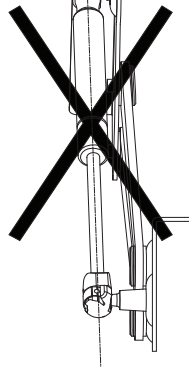
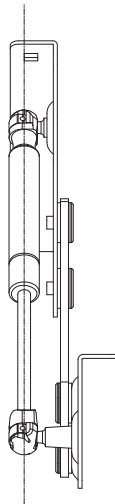
17



18



Insure hinge is not twisted.
Adjust connection to lid if necessary.



After installation carefully and thoroughly clean all debris from the inside of the cargo box.
Retain these instructions for future reference



CAUTION!

- NEVER allow people or animals under the closed cover
- Do not place unsealed solvents or chemicals under the cover
- Do not stand or place heavy objects on the cover
- Do not open lid when under load
- Close the cover before operating the vehicle
- Do not allow oil, solvents or chemicals to contact the cover
- Clean only with a mild detergent and water solution

info@upstone.fr

Fitting Kit Number	Product	Revision	Date	Page
EVOS1400S	Ford Ranger Wildtrack	2.1	22-07-2024	7 of 8

UpStoneEvolve

<http://www.upstone.eu>

info@upstone.fr